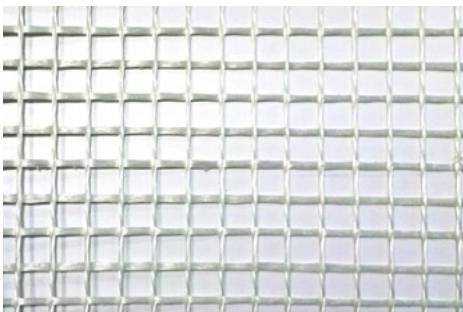
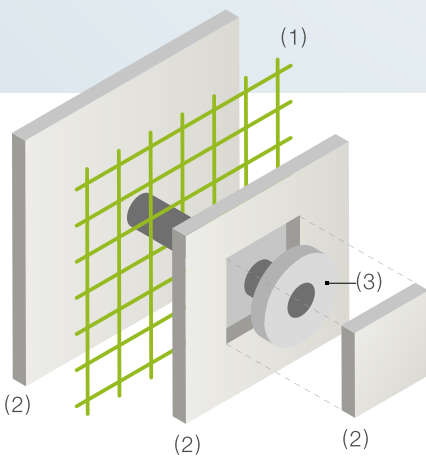
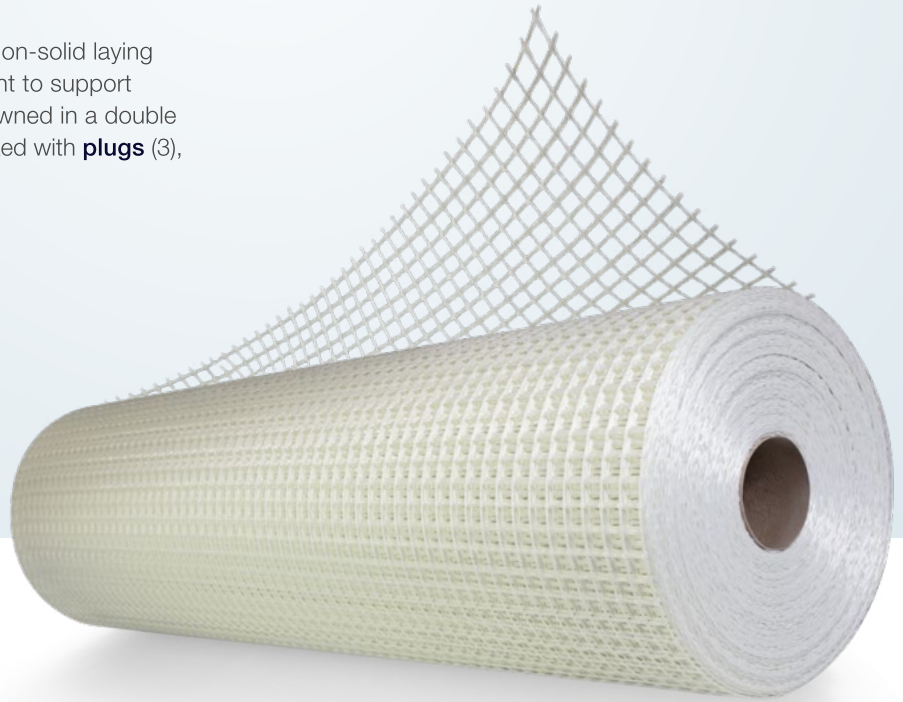


**rastone**  
pietre e marmi

TECHNICAL PRODUCTS

## ecorete

**ECORETE** is a fiberglass net, suitable for non-solid laying and with a mechanical strength not sufficient to support **PIETRAECO**. **ECORETE** (1) has to be drowned in a double skin coat of **ECOCOLLA** (2) and properly fixed with **plugs** (3), 4 to 7 pieces for sqm.



- Roll height: 100 cm
- Mesh width: 16,7 x 16,1 mm
- Specific gravity: > 300 g/sqm

When you are working with an installation bases that do not meet the minimum requirements of reliability and therefore with mechanical resistance levels that are not sufficient to support the manufactured stone, **RASTONE** recommend using **ECORETE**; it is a fiberglass net with 16.7 x 16.1 mm mesh, with anti-alkalin coating. This fiberglass mesh with a specific gravity exceeding 300 gr/sqm is ideal to provide structural reinforcement to the installation base.